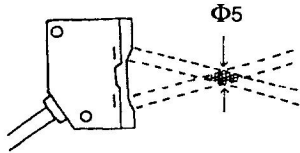


## Packaging/food/medicine

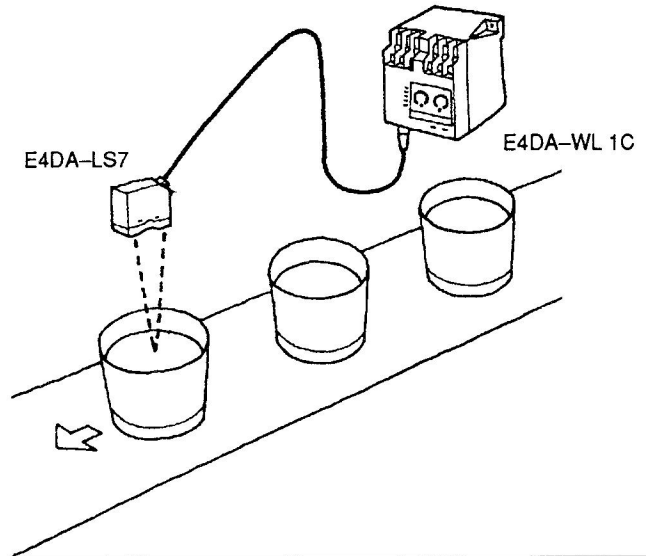
### 14 Level Detection Inside Container (gel consistency detection)

The color of the material does not affect detection as the sensor is ultra-sonic. The smallest increment is 2 mm for accurate detection. The spot size is small 5 mm dia. The linear output is from 4 to 20 mA and there are three possible outputs, High, Pass, and Low. The smallest object that can be detected is 1 mm in diameter at 50 mm distance.



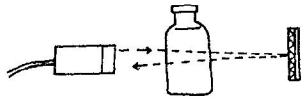
Ultra-sonic Variation Sensor

E4DA

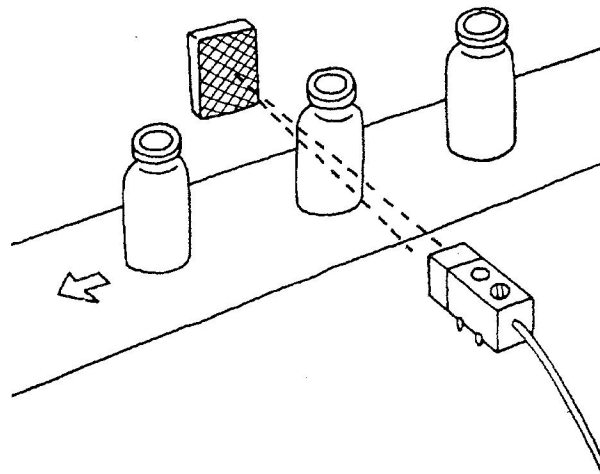


### 15 Transparent Bottle Liquid Content Detection (Liquid Transparent)

A feedback reflective type light passes through the liquid twice. Transparent containers or film may also be detected if sensitivity is adjusted.



If the liquid is not transparent,  
a transmission type can also  
be used.

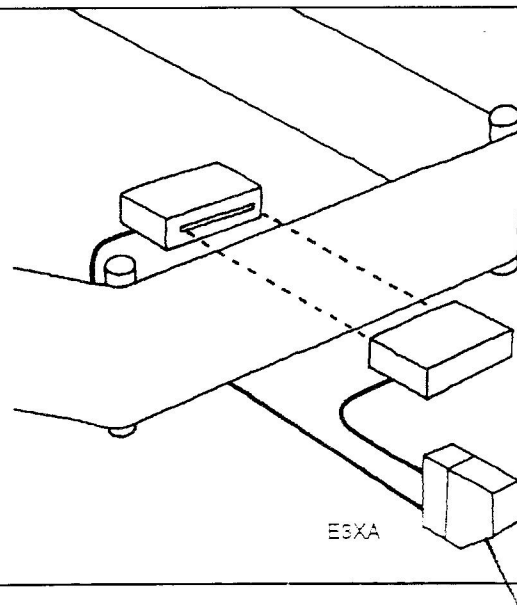
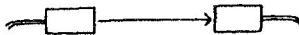


Internal Amp Photoelectric Switch

E3S-RS30E4-30 Detection Distance: 30 cm

### 16 Transparent Film Position Detection

A 0.5-mm slit cover is attached to a E32-T16 and the position is set within a limit of 30 mm. It is a fiber type needing little space. Compared with equivalent laser types this red LED is cheaper and has a longer life.



Fiber Optic Analog Sensor  
E3XA-CC4A (Amp)  
E32-T16 Screen Fiber

E3XA